



Universidad Politécnica de Madrid

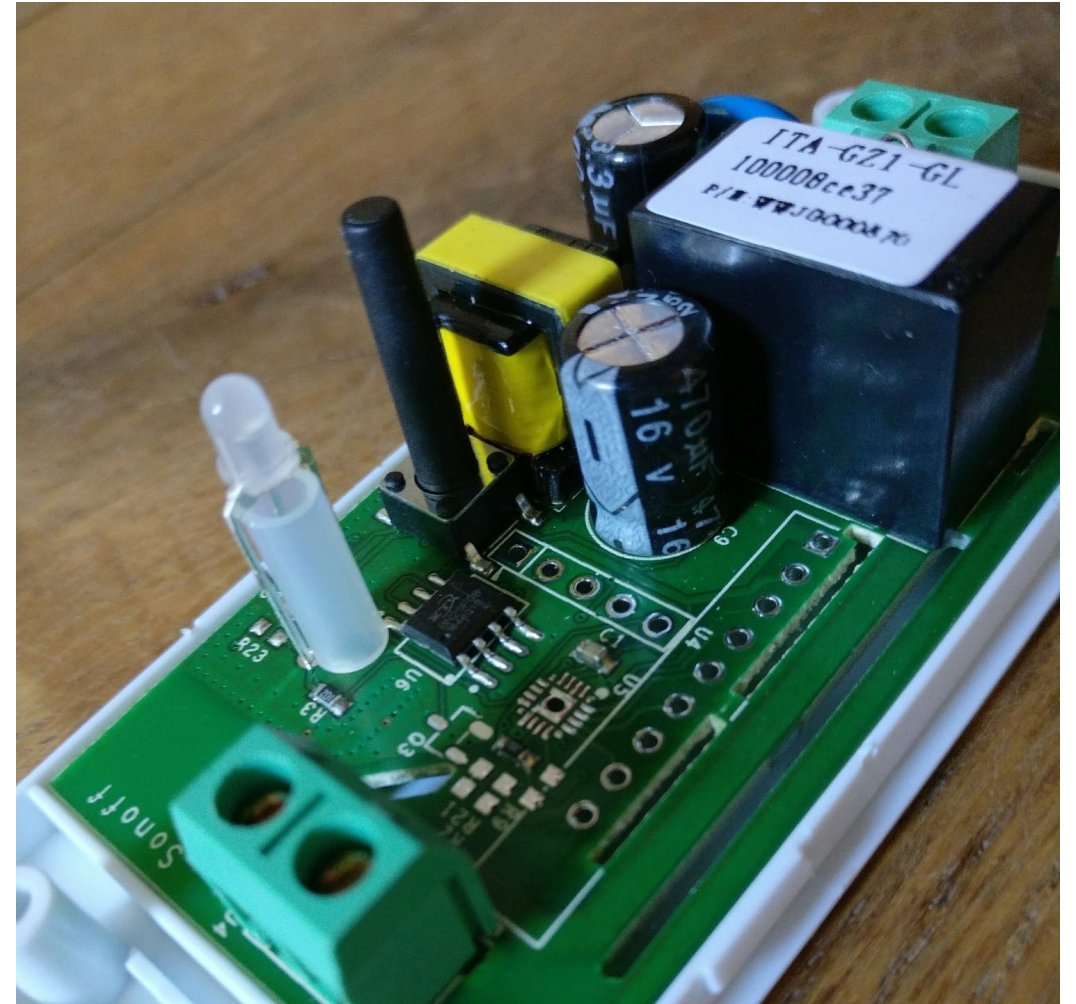
Uso del IoT para construir tú mismo un hogar digital

Cambio de firmware a un dispositivo concreto

Santiago Berrezueta

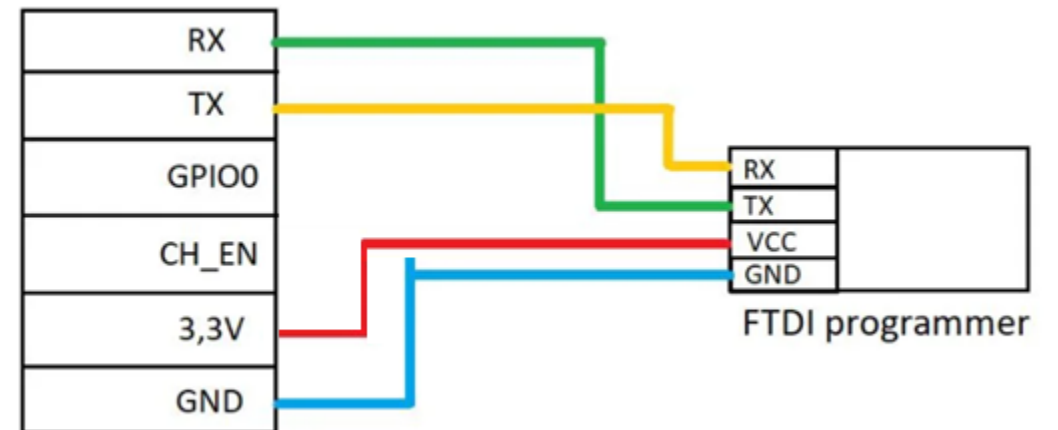
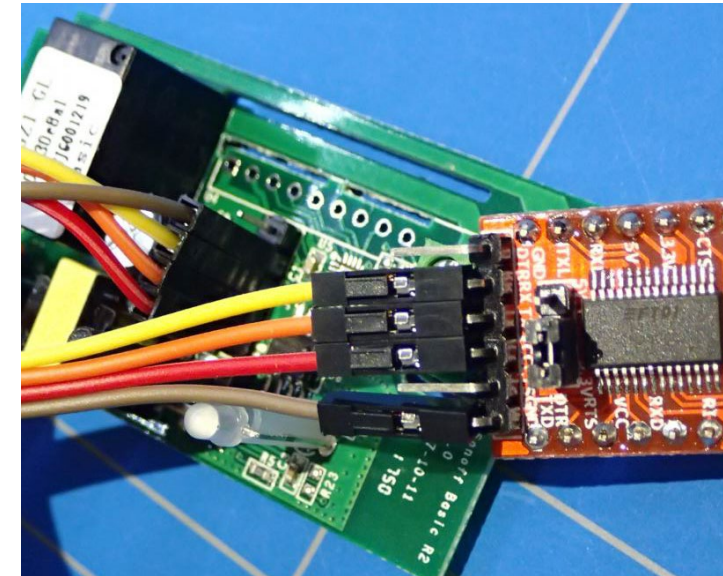
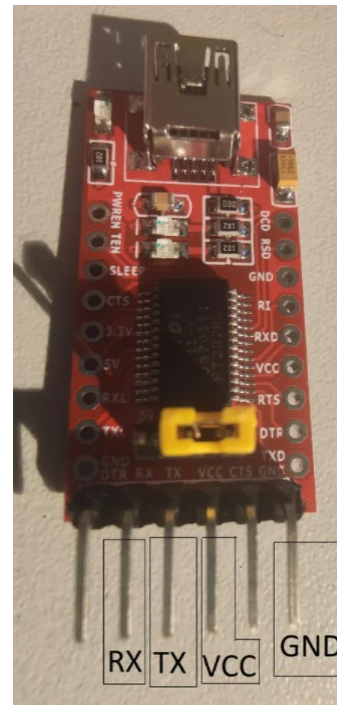
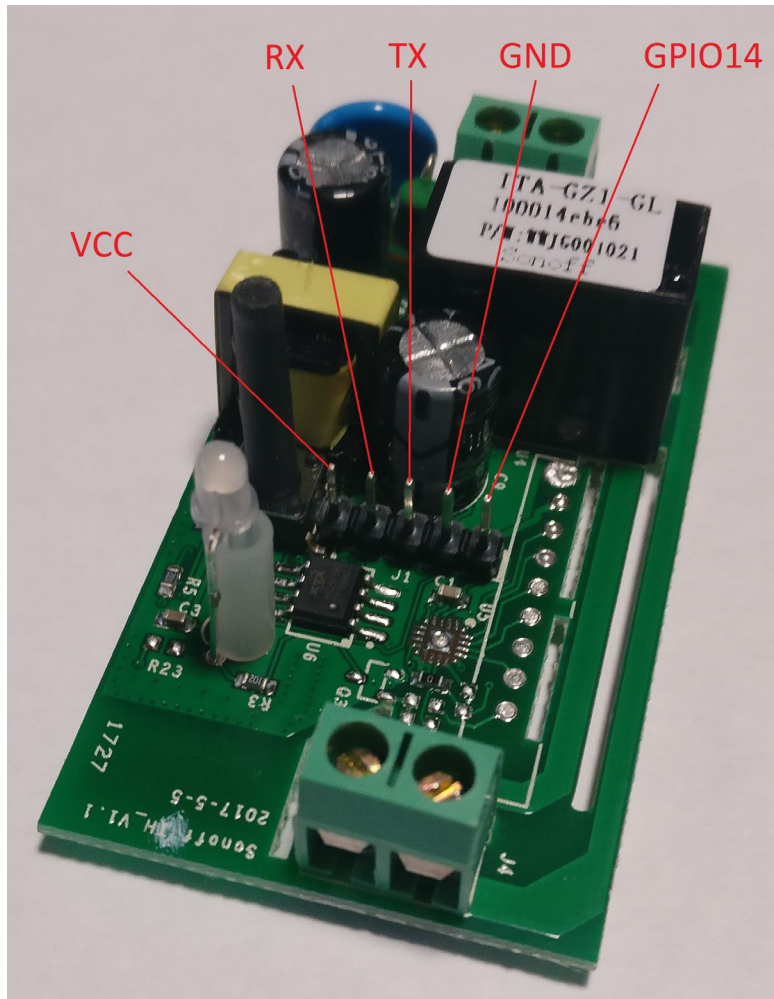
Firmware alternativos

Sonoff



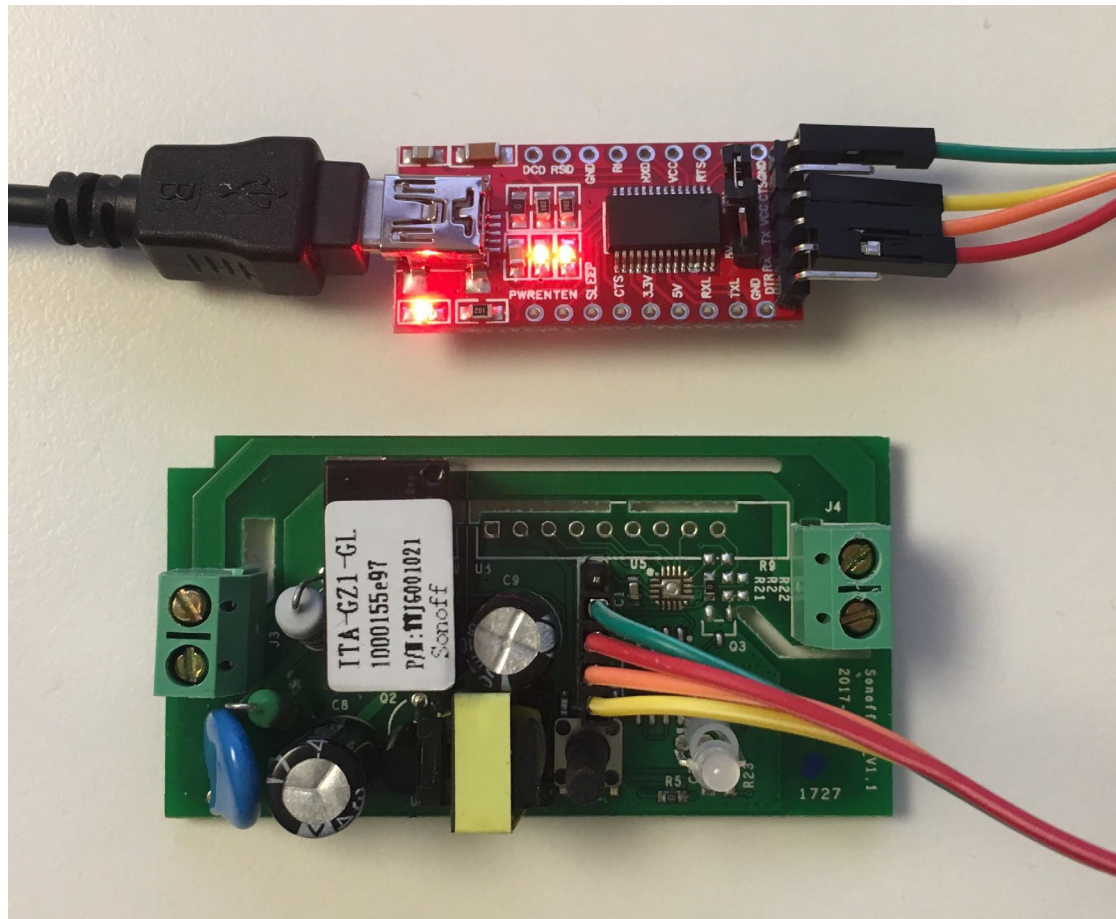
Firmware alternativos

Sonoff



Firmware alternativos

TASMOTA



sonoff | Arduino 1.8.5

File Edit Sketch Tools Help

Auto Format	Ctrl+T
Archive Sketch	
Fix Encoding & Reload	
Serial Monitor	Ctrl+Shift+M
Serial Plotter	Ctrl+Shift+L
WiFi101 Firmware Updater	
Board: "NodeMCU 1.0 (ESP-12E Module)"	>
Flash Size: "4M (1M SPIFFS)"	>
CPU Frequency: "80 MHz"	>
Upload Speed: "115200"	>
Port: "COM26"	>
Get Board Info	
Programmer: "USBtinyISP"	>
Burn Bootloader	

```
#endif //  
#ifdef USE_  
  #include  
#endif //  
  
// Structs  
#include "se  
  
enum Tasmota  
CMND_BACKL  
CMND_BLIND  
CMND_PRESS  
CMND_GPIO  
CMND_COUNT  
CMND_LOGH
```