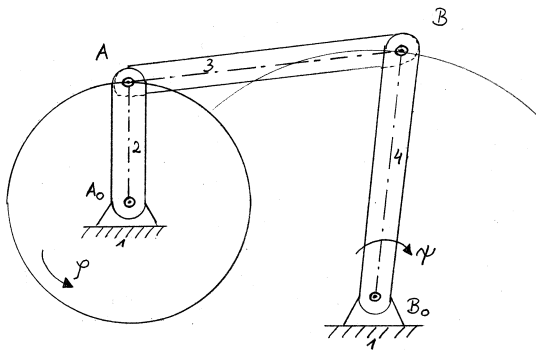


Exercise 1.2:



Graphic analysis of a Crank-and-rocker

Please make a sketch on a sheet of paper (DIN A4) with the given coordinates:

$A_0(0/0)$,

$A(0/40)$,

$B_0(80/-30)$,

$B(90/50)$.

Check the capability of rotation using Grashof's criterion.

Is the crank able to rotate completely?